

**Micro-Fog® Machine Bearing Lubricator
8 to 32 Bearing Inch Ratings 1/4" Port Size**

- Provides centralized air-borne lubrication for machine bearings, gears, chains, slides, ways, etc
- Controls can be installed to start-up and shut-down the lubricator with the machine
- Delivers a fog of oil to the application points, coating bearing surfaces with a thin oil film and reducing oil consumption
- Air carrying the lubricants passes through the bearing housing, reducing bearing temperature and contamination, providing longer bearing life
- The 2 and 5 U.S. gallon (8 and 20 liter) reservoirs are rated to ASME Pressure Vessel Code, Section VIII
- Refer to Norgren Publication NT-1 for system design, bearing-inch ratings, and reclassifier selection



Ordering Information. Models listed have 1/4" PTF threads and are rated from 8 to 32 bearing inches.

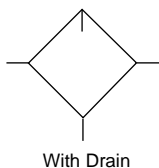
Model Number	Reservoir - Nominal Size	Reservoir - Working Capacity	Weight lbs (kg)
10-015-100 *	1/2 pint (0.25 liter)	—	2 (0.91)
10-015-002	1/2 pint (0.25 liter)	5 fluid ounce (0.15 liter)	2 (0.91)
10-015-504	1 quart (1 liter)	19 fluid ounce (0.56 liter)	4.0 (1.8)
10-015-005	2 quart (2 liter)	45 fluid ounce (1.33 liter)	6 (2.72)
10-065-006	2 U.S. gallon (8 liter)	113 fluid ounce (3.34 liter)	15.4 (7.0)
10-065-007	5 U.S. gallon (20 liter)	316 fluid ounce (9.34 liter)	28 (12.7)

* Equipped with factory installed remote fill device.

Alternative Models

1 0 - 0 ★★ - ★★ - ★★

Option	Add	To order separately (for field install)
Wall bracket attached to 10-015 models	-1B	18-001-009
Quick fill	-2H	18-011-006
Pyrex sight feed dome	-7C	1804-03
Low oil level switch with 10-015-504	-3A	18-023-018
Low oil level switch with 10-015-005	-3A	18-023-018
Low oil level switch with 10-065-006	-3D	18-023-022
Low oil level switch with 10-065-007	-3E	18-023-024
Bowl guard for 0.5 pint reservoir	-2U	18-012-002

ISO Symbol


See Section ALE-24 for Accessories



Technical Data

Fluid: Compressed air

Maximum pressure

Transparent bowl: 150 psig (10 bar)

Metal bowl: 250 psig (17 bar)

Operating temperature*

Transparent bowl: 0° to 125°F (-20° to 50°C)

Metal bowl: 0° to 175°F (-20° to 80°C)

* Air supply must be dry enough to avoid ice formation at temperatures below 35°F (2°C).

Nominal reservoir sizes

10-015-002: 1/2 pint (0.25 liter)

10-015-100: 1/2 pint (0.25 liter)

10-015-504: 1 quart (1 liter)

10-015-005: 2 quart (2 liter)

10-065-006: 2 U.S. gallon (8 liter)

10-065-007: 5 U.S. gallon (20 liter)

Recommended lubricants: See Section ALE-29.

Materials

Body: Zinc

Bowl:

Transparent 1/2 pint (0.25 liter): Polycarbonate

Metal

1 quart (1 liter): Aluminum

2 quart, 2 and 5 gallon (2, 8, 20 liter): Steel

Metal bowl liquid level indicator lens: Pyrex

Sight-feed dome

Standard: Polycarbonate

Optional: Pyrex and brass

Elastomers: Neoprene and nitrile

Service Kits

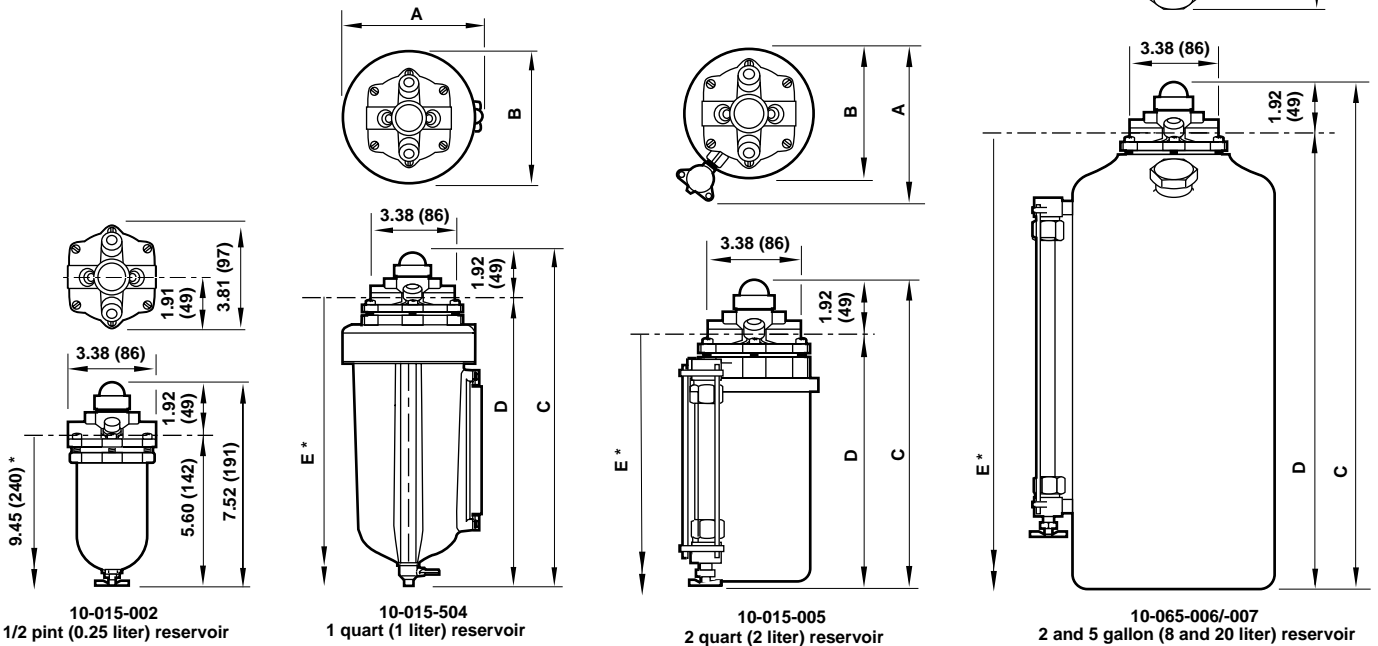
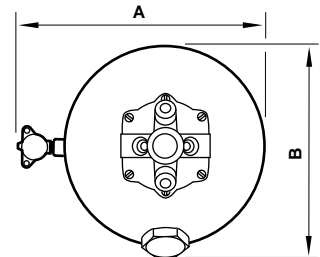
Item	Type	Part Number
Service kit	Seal & Gasket	714-01
Liquid level lens kit	1 quart reservoir	2273-22
	2 quart reservoir	2273-04
	2 and 5 gallon reservoir	2274-01
Replacement drain	Manual petcock	684-01

Service kit 714-01 includes dome, o-rings, gaskets, siphon tube filter, siphon tube check ball.

Reservoir sight glass kits include sight glass, sight glass guards, seals, and hardware.

All Dimensions in Inches (mm)

Reservoir	A	B	C	D	E
1 quart (1 liter)	4.58 (116)	4.36 (111)	12.73 (323)	10.8 (275)	19 (475)
2 quart (2 liter)	5.28 (134)	4.63 (118)	11.69 (297)	9.77 (248)	18 (457)
2 gallon (8 liter)	7.81 (198)	7.18 (182)	19.51 (496)	17.59 (447)	31 (787)
5 gallon (20 liter)	11.81 (300)	11.18 (284)	22.76 (578)	20.84 (529)	36 (914)



* Minimum clearance required to remove bowl.



Machine Bearing Lubricators

Machine bearing lubricators deliver a fog of small oil particles through a manifold system to various machine elements (bearings, gears, chains, etc). At the machine elements a nozzle-like fitting, called a reclassifier, causes the small oil particles to combine into larger particles. The larger particles cover the bearing surfaces with a protective film of clean oil. An air line filter and pressure regulator must be installed immediately upstream of the lubricator.

How to Select

Selection requires a careful analysis of the lubrication requirements of the machine. After the analysis, the proper lubricator, reservoir, and reclassifiers may be ordered. The following is an abbreviated summary of the steps required to analysis lubrication requirements of the machine. See Norgren Publications NT-1, *Design Manual for Machine Lubrication*, for complete details.

1. Determine the bearing inch requirement.
 - a. List and identify the bearing-inch rating of all machine elements requiring lubrication.
 - b. List the reclassifier ratings required at each point of lubrication.
 - c. Total the reclassifier ratings. This is the bearing-inch requirement to use in selecting the lubricator.
2. Determine reservoir capacity required.
 - a. Calculate rate of oil usage based on bearing-inch rating.
 - b. Determine how often the reservoir can be refilled.
 - c. Select reservoir capacity.

3. Determine the air flow required. See the *Operating Ranges and Air Flow Requirements* chart for air flow requirements of the lubricator.
4. Determine any accessories required.

Operating Ranges and Air Flow Requirements

Bearing Inch Requirement	Lubricator Inlet Pressure psig (bar)	Air Flow scfm (dm ³ /s)	Manifold Pressure Inches H ₂ O
16 24 32	8 (0.6) 17 (1.2) 26 (1.8)	1.6 (0.76) 2.4 (1.13) 3.1 (1.46)	8
16 24 32	10 (0.7) 20 (1.4) 31 (2.2)	1.8 (0.85) 2.7 (1.27) 3.6 (1.70)	10
16 24 32	12 (0.8) 23 (1.7) 35 (2.4)	2.0 (0.94) 3.0 (1.42) 4.0 (1.89)	12
8 16 24 32	6 (0.4) 15 (1.0) 26 (1.8) 40 (2.8)	1.1 (0.52) 2.2 (1.04) 3.3 (1.56) 4.5 (2.12)	15

Reclassifiers with Bearing Inch (BI) Ratings - Dimensions in mm (inches)

Straight, compression tube		Elbow, compression tube		Pressure jet, compression tube		Straight, pipe thread*		1/4 OD copper tube, solder	
Model	BI Rating	Model	BI Rating	Model	BI Rating	Model	BI Rating	Model	BI Rating
18-009-003	0 to 1	18-009-008	0 to 1	18-009-030	0 to 1	18-009-001	0 to 1	18-009-029	2 to 4
18-009-010	1 to 2	18-009-011	1 to 2	18-009-031	1 to 2	18-009-002	0 to 1		
18-009-012	2 to 4	18-009-013	2 to 4	18-009-032	2 to 4	18-009-005	2 to 4		
18-009-014	4 to 8	18-009-015	4 to 8			18-009-006	2 to 4		
						18-009-007	4 to 8		

* 1/4 NPT female x 1/8 NPT male threads all models except 18-009-002 and -006, which have 1/4 NPT female and male threads.